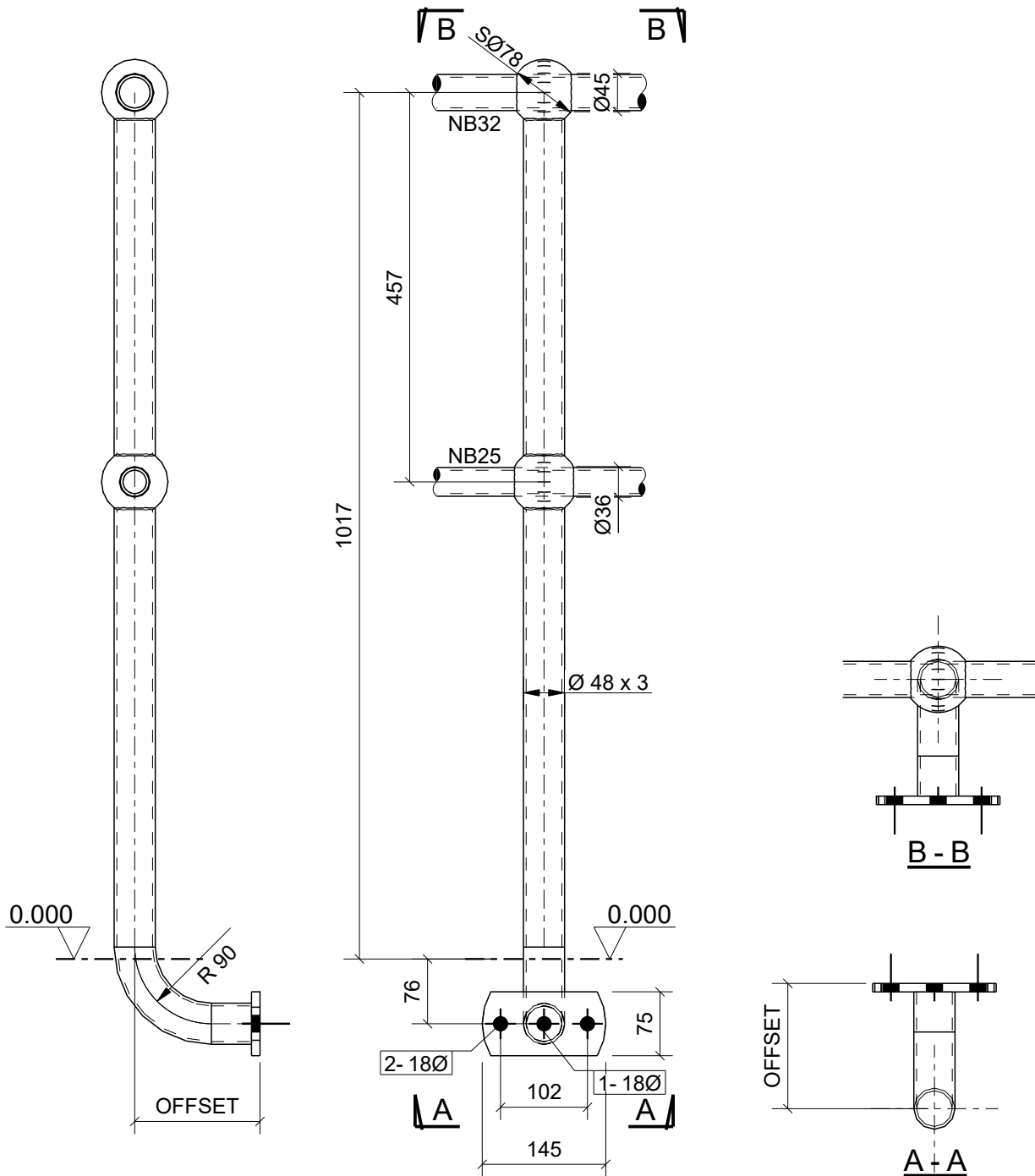


# 'SO' SIDE OFFSET



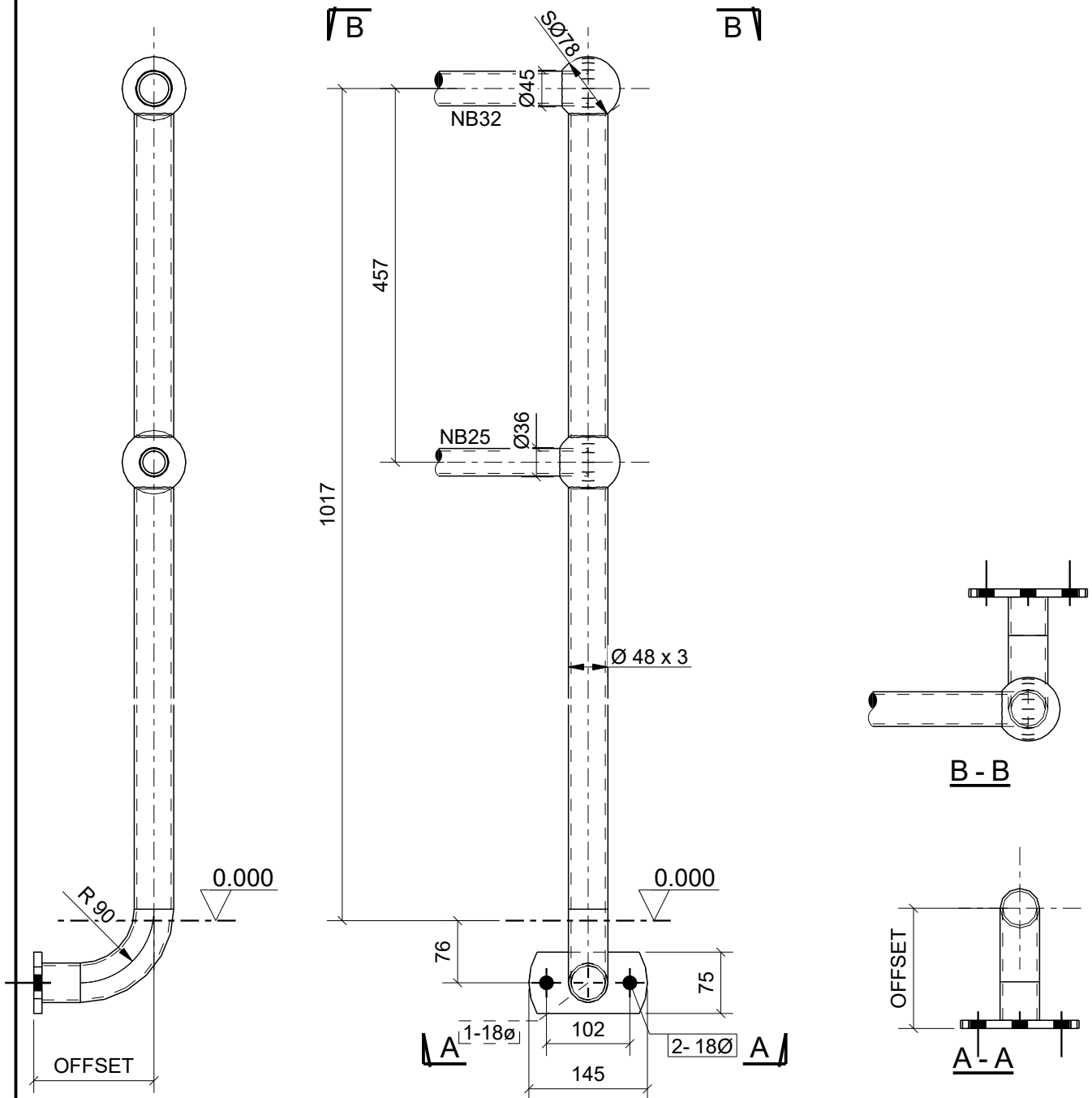
CHANNEL SIZES	OFFSET	UNIVERSAL BEAMS	OFFSET
150x75	115	200UB	115
180x75	115	250UB	115
200x75	115	310UB	130
230x75	115	360UB	130
250x90	130	410UB	130
300x90	130	46UB	130
380x100	130	530UB	140

\*\* Other combinations of rail sizes, stanchion heights and multi ball options are available to order. \*\*

STANCHION TYPE: <b>Std Stanchion 'SO'</b>	 <b>PERRY</b> <b>GRATING</b> www.perrygrating.co.nz © Perry Grating 2017 // All rights reserved	PROJECT Project Name	 THIRD ANGLE PROJECTION	
STANCHION MATERIAL: <b>C350</b>		DRAWING TITLE: <b>Side Offset Stanchion</b>	SHEET. 1 OF 1 DATE: 25.05.2018	SCALE @ A4: REV. <b>1:7.5 P2</b>
DIMENSIONS: mm				



# 'SO' SIDE OFFSET DRILLED ONE SIDE ONLY LEFT HAND SIDE



CHANNEL SIZES	OFFSET	UNIVERSAL BEAMS	OFFSET
150x75	115	200UB	115
180x75	115	250UB	115
200x75	115	310UB	130
230x75	115	360UB	130
250x90	130	410UB	130
300x90	130	46UB	130
380x100	130	530UB	140

\*\* Other combinations of rail sizes, stanchion heights and multi ball options are available to order. \*\*

STANCHION TYPE:  
Std Stanchion 'SO'

STANCHION MATERIAL:  
**C350**

DIMENSIONS: mm



PROJECT  
Project Name

DRAWING TITLE:  
Side Offset (DOSO-LH)

THIRD ANGLE PROJECTION

SHEET. 1 OF 1  
DATE: 25.05.2018  
SCALE @ A4: REV.  
**1:7.5 P1**