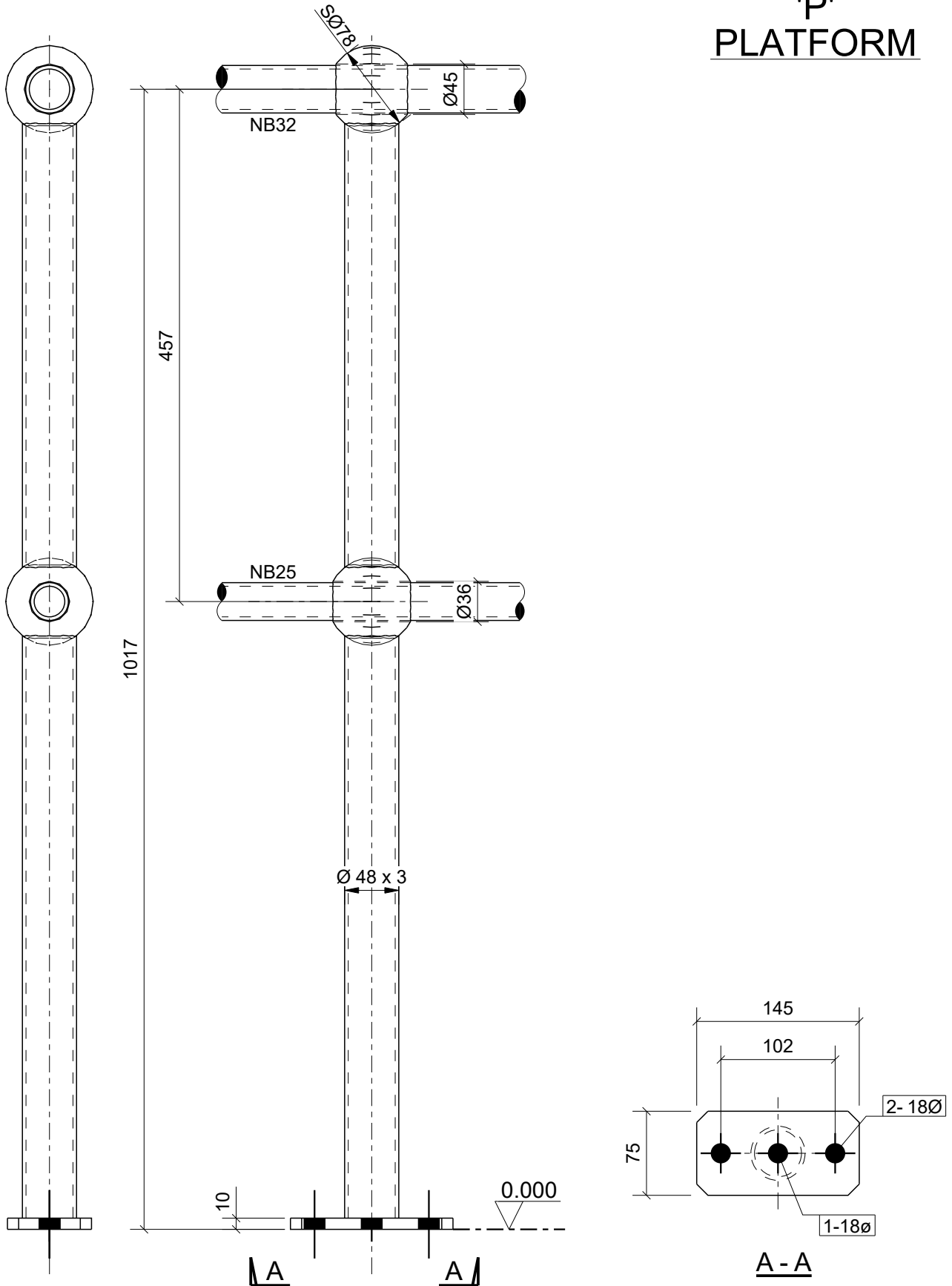


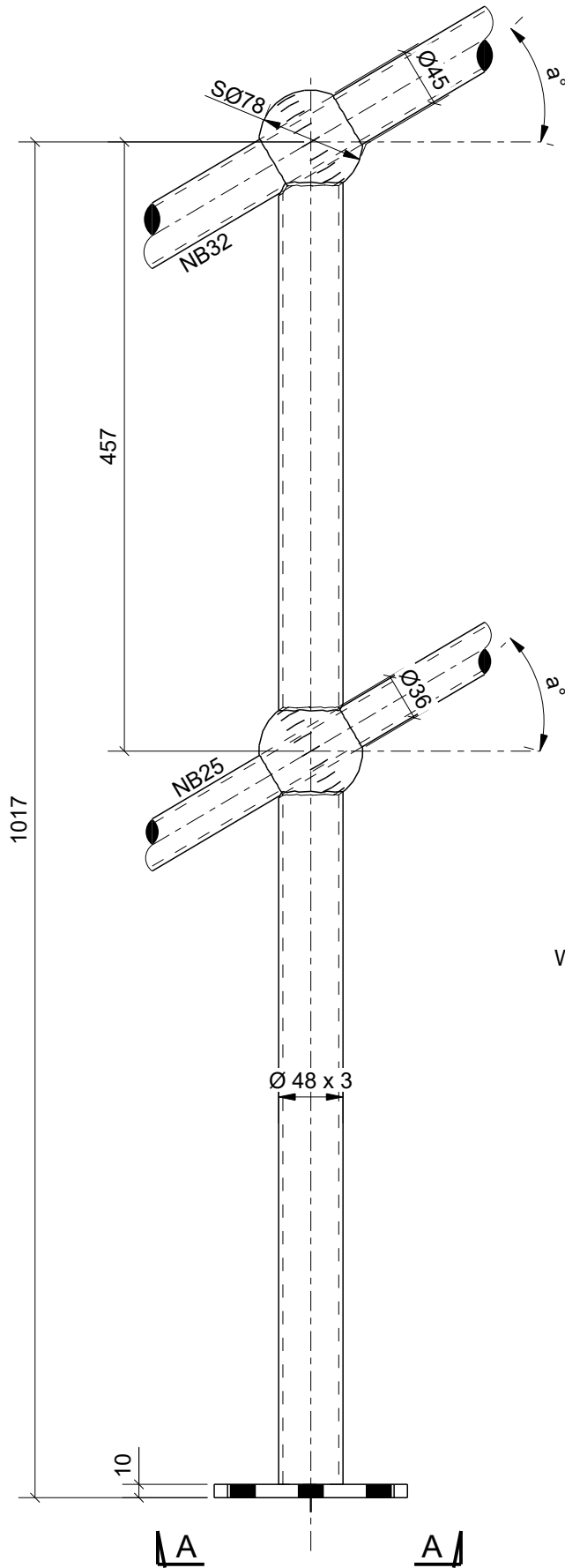
'P' PLATFORM



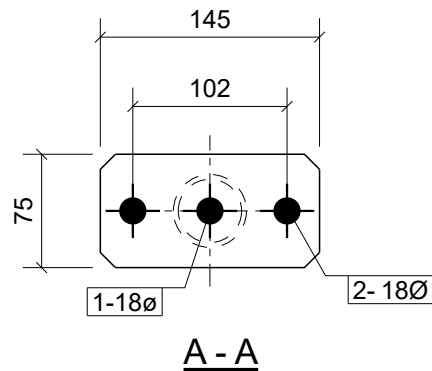
** Other combinations of rail sizes, stanchion heights and multi ball options are available to order. **

STANCHION TYPE: Std Stanchion 'P'	 PERRY GRATING www.perrygrating.co.nz © Perry Grating 2017 // All rights reserved	PROJECT Project Name	 THIRD ANGLE PROJECTION	
STANCHION MATERIAL: C350		DRAWING TITLE: Platform Stanchion	SHEET. 1 OF 1 DATE: 25.05.2018	SCALE @ A4: REV. 1:5 P2
DIMENSIONS: mm				

'PA' PLATFORM ANGLE



'a' ANGLE DRILLINGS
ANGLE STANCHIONS CAN BE MADE TO ORDER
WITH ANY ANGLE DESIGNATED BETWEEN 1° ~ 45°



ANGLE MOUNT FROM 28° ~ 45°

** Other combinations of rail sizes, stanchion heights and multi ball options are available to order. **

<p>STANCHION TYPE: Std Stanchion 'PA'</p> <p>STANCHION MATERIAL: C350</p> <p>DIMENSIONS: mm</p>	 <p>PERRY GRATING</p> <p>www.perrygrating.co.nz © Perry Grating 2017 // All rights reserved</p>	<p>PROJECT Project Name</p> <p>DRAWING TITLE: Platform Angle Stanchion</p>	<p style="text-align: right;">THIRD ANGLE PROJECTION</p> <p>SHEET. 1 OF 1 DATE: 25.05.2018 SCALE @ A4: REV. 1:5 P2</p>
--	---	--	--