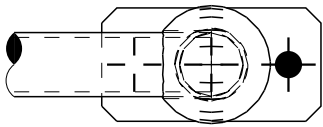
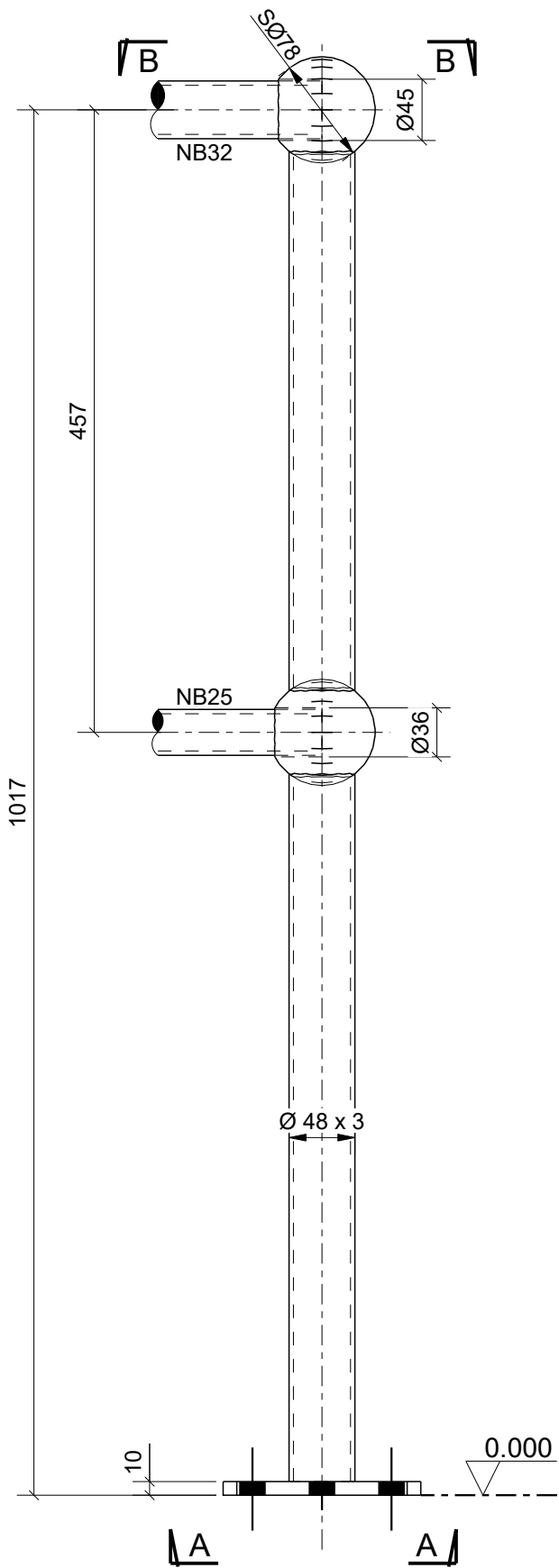
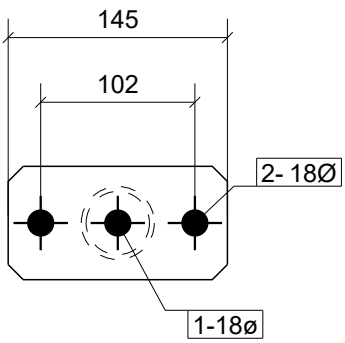


# 'P' PLATFORM DRILLED ONE SIDE ONLY



**B - B**



**A - A**

\*\* Other combinations of rail sizes, stanchion heights and multi ball options are available to order. \*\*

STANCHION TYPE: Std Stanchion 'P'
STANCHION MATERIAL: <b>C350</b>
DIMENSIONS: mm

**PERRY**  
GRATING  
www.perrygrating.co.nz  
© Perry Grating 2017 // All rights reserved

PROJECT Project Name
DRAWING TITLE: Platform Stanchion (DOSO)

	THIRD ANGLE PROJECTION
SHEET. 1 OF 1	
DATE: 25.05.2018	
SCALE @ A4:	REV.
<b>1:5</b>	<b>P1</b>