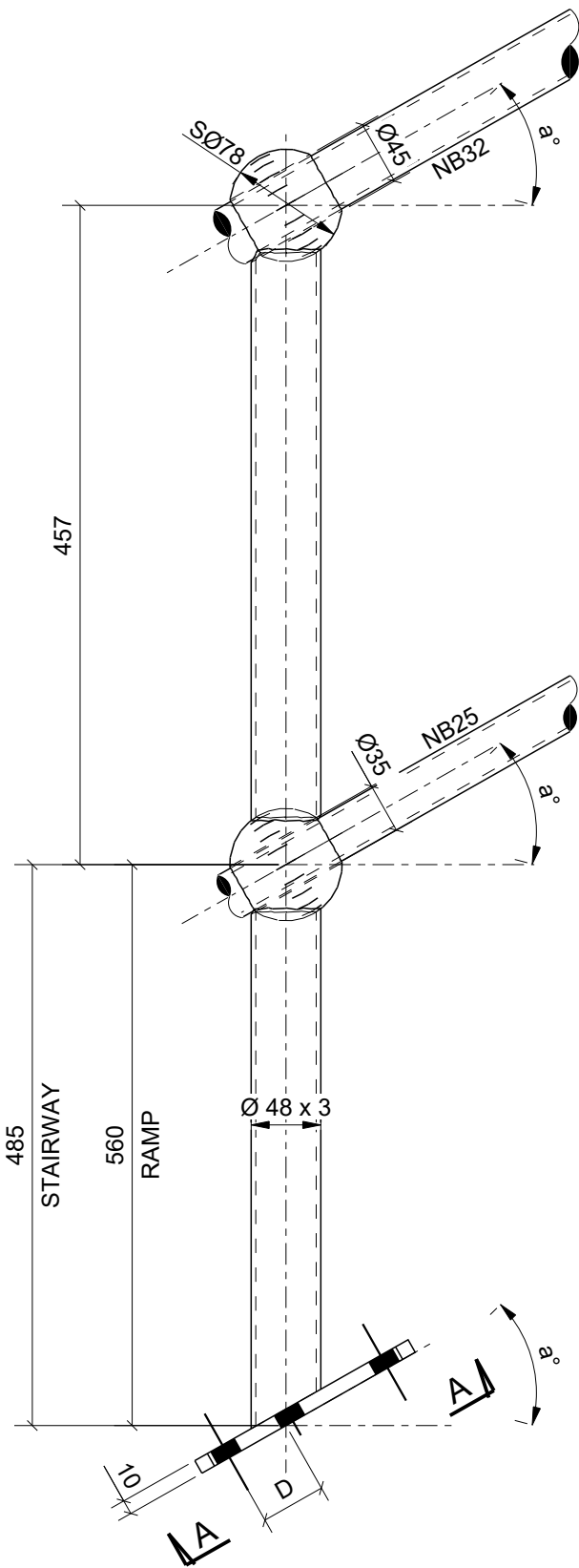
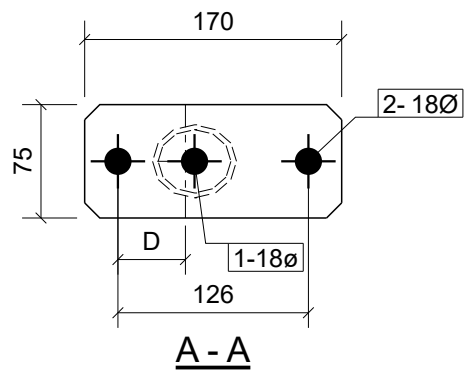


'AM' ANGLE MOUNT



'a' ANGLE DRILLINGS
 ANGLE STANCHIONS CAN BE MADE TO ORDER
 WITH ANY ANGLE DESIGNATED BETWEEN 1° ~ 45°



ANGLE MOUNT FROM 28° ~ 45° D=45mm

** Other combinations of rail sizes, stanchion heights and multi ball options are available to order. **

<p>STANCHION TYPE: Std Stanchion 'AM'</p> <p>STANCHION MATERIAL: C350</p> <p>DIMENSIONS: mm</p>	 <p>PERRY GRATING</p> <p>www.perrygrating.co.nz © Perry Grating 2017 // All rights reserved</p>	<p>PROJECT Project Name</p> <p>DRAWING TITLE: Angle Mount Stanchion</p>	<p style="text-align: right;">  THIRD ANGLE PROJECTION </p> <p>SHEET. 1 OF 1 DATE: 25.05.2018 SCALE @ A4: 1:5 REV. P2</p>
--	---	---	---