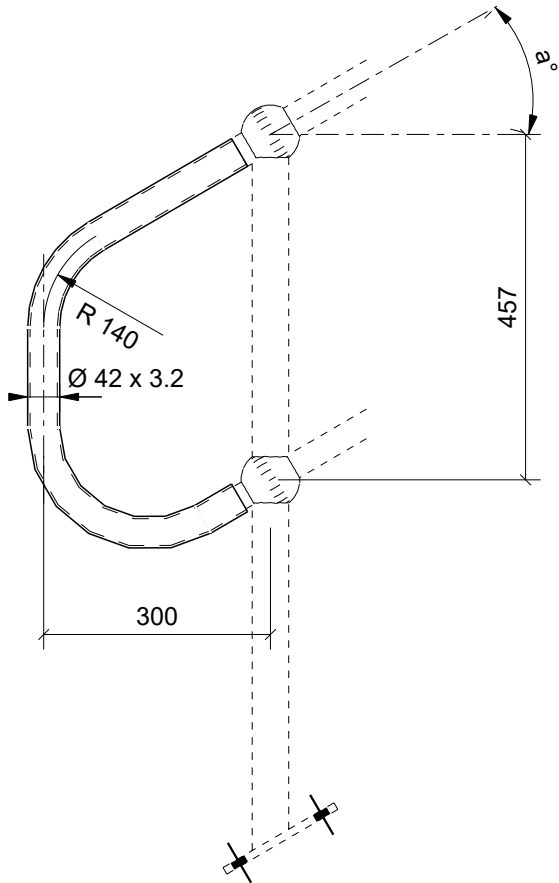
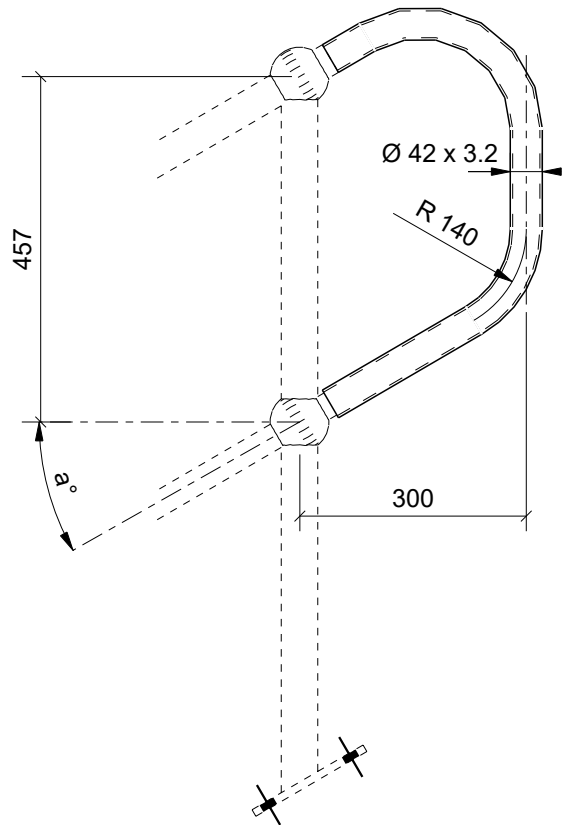


ACB-B
(Angle Closure Bend -- Bottom)



ACB-T
(Angle Closure Bend -- Top)



** Other combinations of rail sizes, stanchion heights and multi ball options are available to order. **

STANCHION TYPE: Std Angle Closure	 PERRY GRATING www.perrygrating.co.nz © Perry Grating 2017 // All rights reserved	PROJECT Project Name	 THIRD ANGLE PROJECTION	
STANCHION MATERIAL: C350		DRAWING TITLE: Angle Closure Bend	SHEET. 1 OF 1 DATE: 25.05.2018	SCALE @ A4: REV.
DIMENSIONS: mm		1:10 P2		